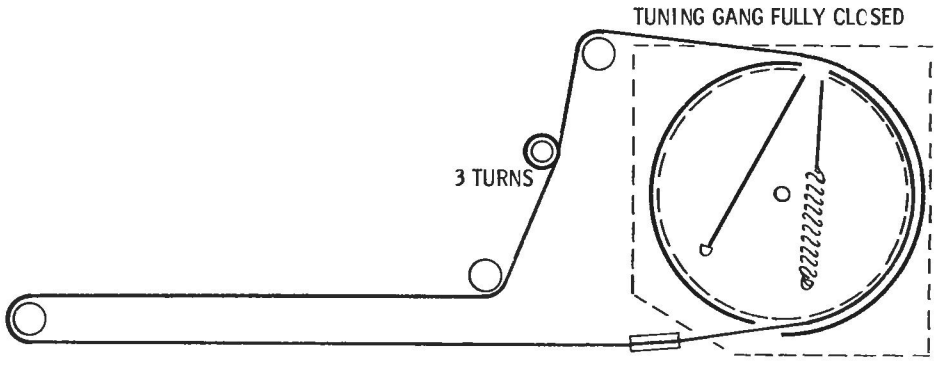


FISHER MODELS
80-R, 80-T



FISHER MODELS
80-R, 80-T

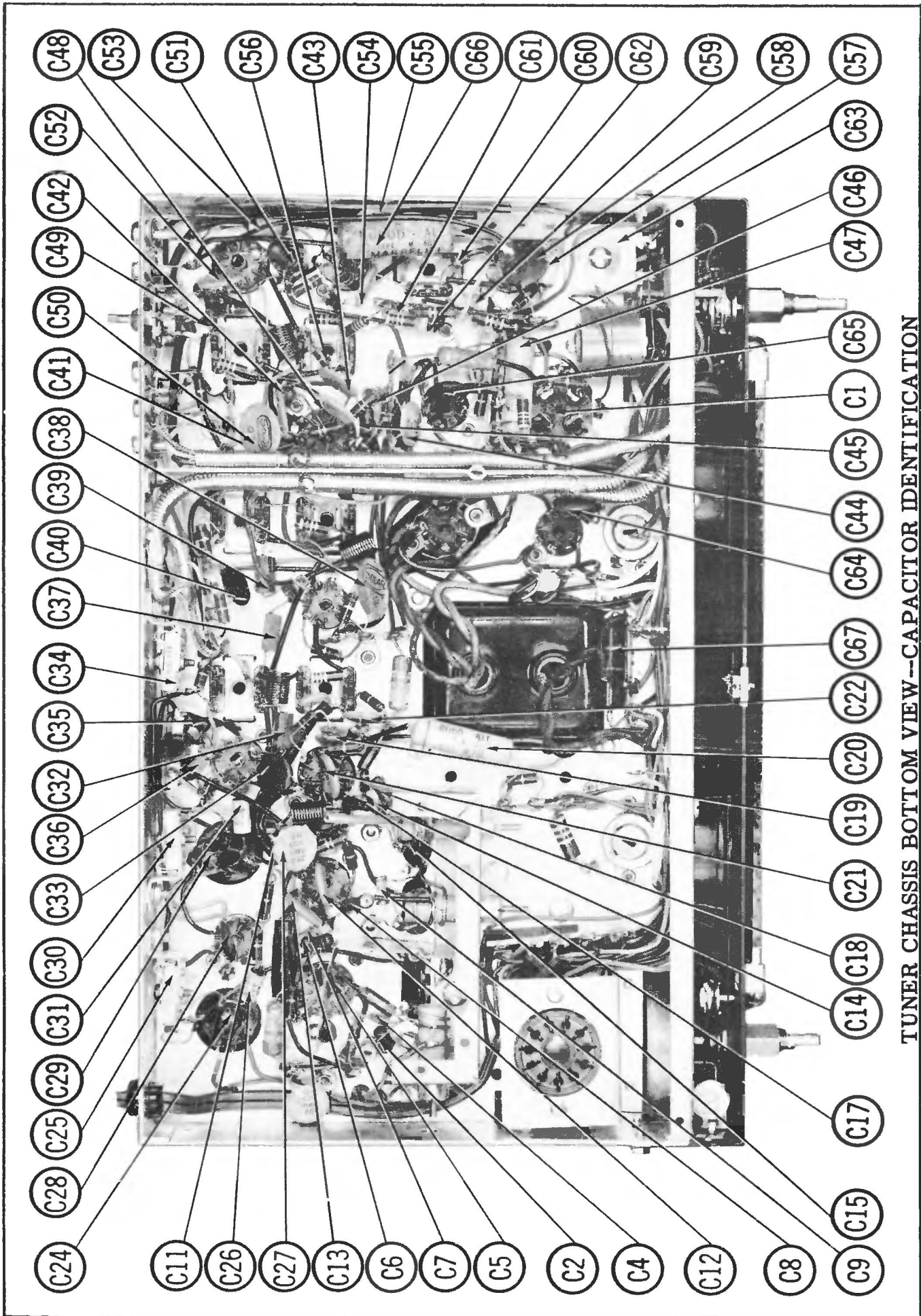
TRADE NAME	Fisher Models 80-R (Tuner Only), 80-T (Tuner & Preamp. Chassis)		
MANUFACTURER	Fisher Radio Corp., 21-21 44th Drive, Long Island City 1, N. Y.		
TYPE SET	AC Operated FM-AM Tuner With Preampifier		
TUBES	Sixteen		
POWER SUPPLY	105-125 Volts AC -50/60 Cycles	RATING	.54 Amp. @ 117 Volts AC (56 Watts)
TUNING RANGE—BROADCAST	540-1620KC	FREQ. MOD.	88-108MC



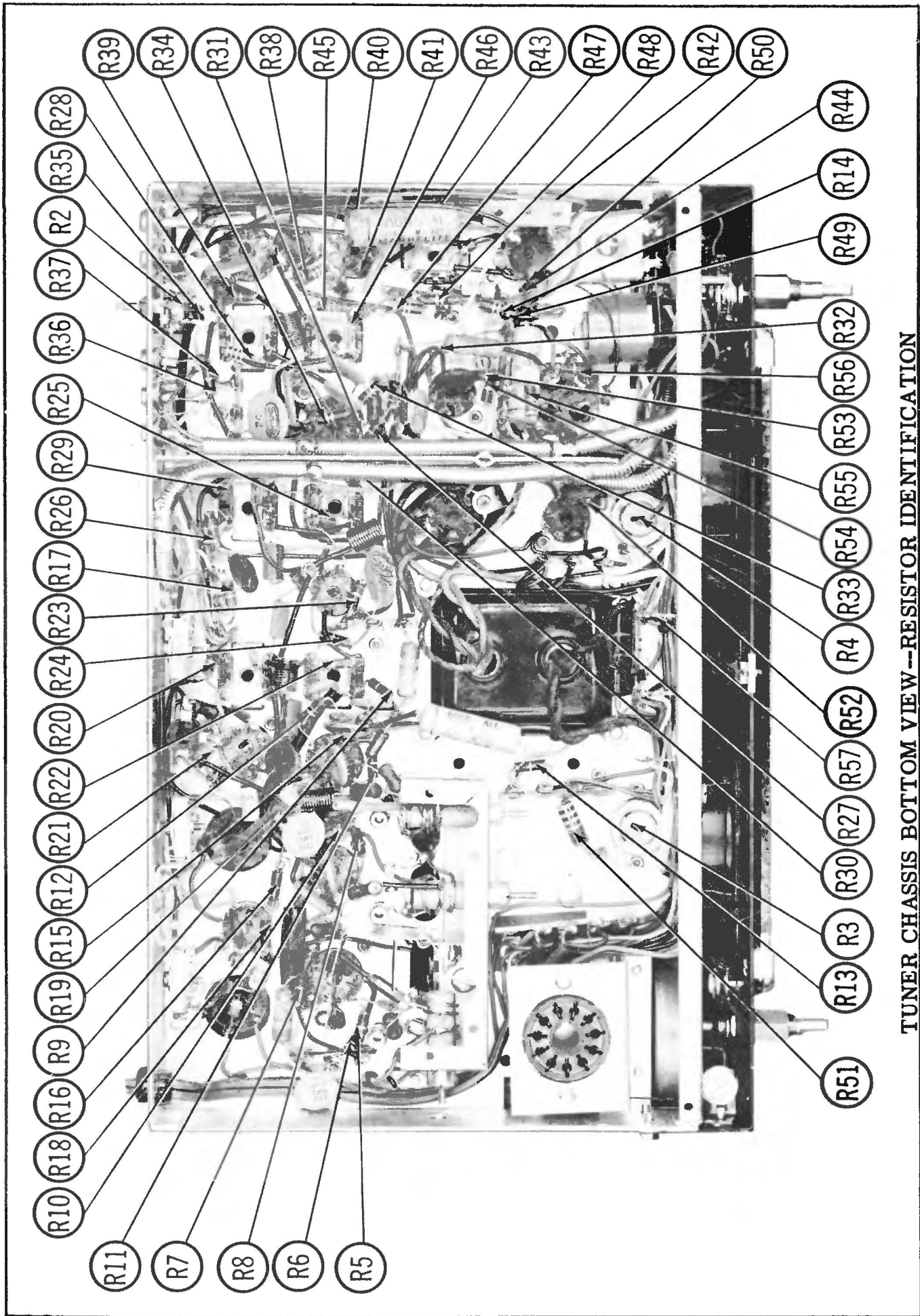
HOWARD W. SAMS & CO., INC. • Indianapolis 5, Indiana

The listing of any available replacement part herein does not constitute in any case a recommendation, warranty or guaranty by Howard W. Sams & Co., Inc., as to the quality and suitability of such replacement part. The numbers of these parts have been compiled from information furnished to Howard W. Sams & Co., Inc., by the manufacturers of H419

the particular type of replacement part listed. Reproduction or use, without express permission, of editorial or pictorial content, in any manner, is prohibited. No patent liability is assumed with respect to the use of the information contained herein. © 1958 Howard W. Sams & Co., Inc., Indianapolis 5, Indiana. Printed in U.S. of America

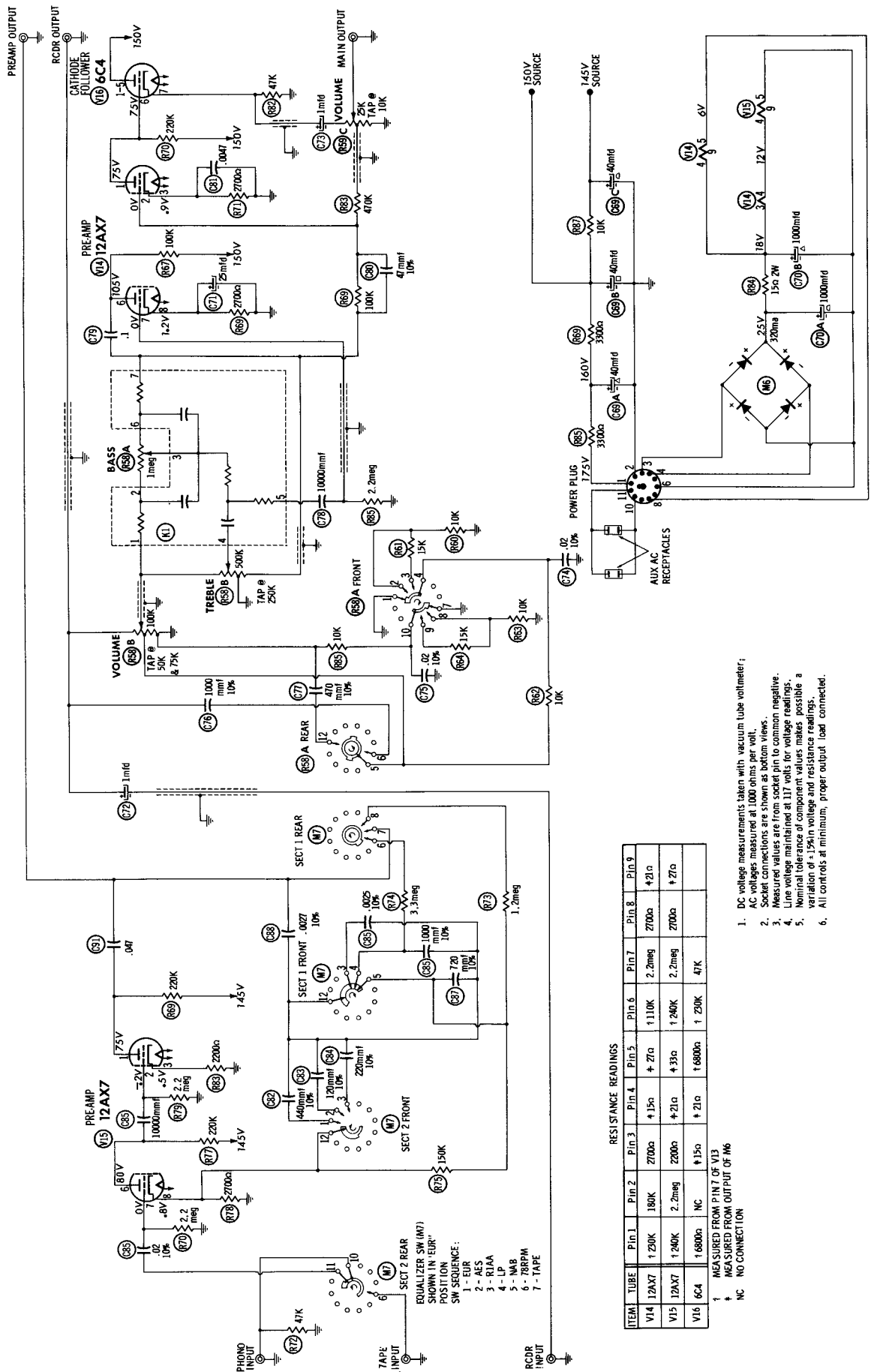


TUNER CHASSIS BOTTOM VIEW--CAPACITOR IDENTIFICATION



TUNER CHASSIS BOTTOM VIEW--RESISTOR IDENTIFICATION

FISHER
MODEL 80-R



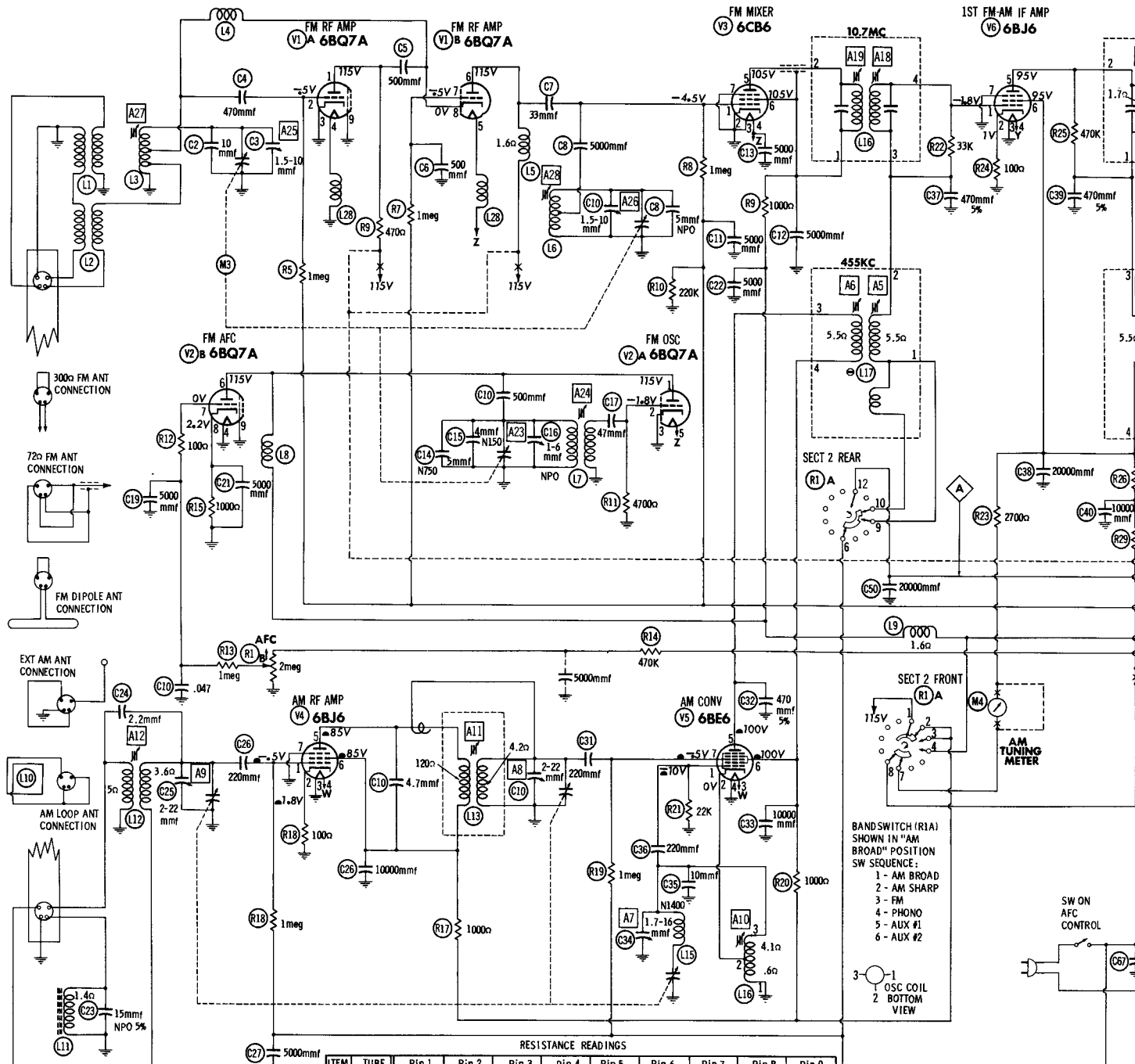
RESISTANCE READINGS

ITEM	TUBE	Pin 1	Pin 2	Pin 3	Pin 4	Pin 5	Pin 6	Pin 7	Pin 8	Pin 9
V14	12AX7	† 20K	180K	2700Ω	† 15Ω	† 27Ω	1110K	2.2meg	2700Ω	† 21Ω
V15	12AX7	† 240K	2200Ω	† 21Ω	† 33Ω	1.240K	2.2meg	2700Ω	† 27Ω	
V16	6CA	1.680Ω	NC	† 15Ω	† 21Ω	† 6800Ω	† 250K	47K		

1. DC voltage measurements taken with vacuum tube voltmeter;
2. AC voltages measured at 1000 ohms per volt.
3. Socket connections are shown as bottom views.
4. Measured values are from socket pin to common negative.
5. Line voltage maintained at 117 volts for voltage readings.
6. Nominal tolerance of component values makes possible a variation of ±15% in voltage and resistance readings.
7. All controls at minimum, proper output load connected.

† MEASURED FROM PIN 7 OF V13
 † MEASURED FROM OUTPUT OF M6
 NC NO CONNECTION

A. PHOTOFACT STANDARD NOTATION SCHEMATIC
 Howard W. Sams & Co., Inc. 1958



1. DC voltage measurements taken with vacuum tube voltmeter; AC voltages measured at 1000 ohms per volt.
2. Socket connections are shown as bottom views.
3. Measured values are from socket pin to common negative.
4. Line voltage maintained at 117 volts for voltage readings.
5. Nominal tolerance on component values makes possible a variation of $\pm 15\%$ in voltage and resistance readings.
6. Volume control at maximum; no signal applied for voltage measurements.

SEE PARTS LIST FOR ALTERNATE VALUE OR APPLICATION

DC CDIL RESISTANCE VALUES UNDER ONE OHM NOT SHOWN ON SCHEMATIC DIAGRAM

ARROWS ON CONTROLS INDICATE CLOCKWISE ROTATION (CONTROL VIEWED FROM SHAFT END)

RESISTANCE READINGS										
ITEM	TUBE	Pin 1	Pin 2	Pin 3	Pin 4	Pin 5	Pin 6	Pin 7	Pin 8	Pin 9
V1	6BQ7	$\dagger 1600\Omega$	1.2meg	0 Ω	.2 Ω	.2 Ω	$\dagger 1100\Omega$	1.2meg	.1 Ω	0 Ω
V2	6BQ7	$\dagger 1100\Omega$	4700 Ω	0 Ω	0 Ω	.1 Ω	$\dagger 1100\Omega$	1meg	1000 Ω	0 Ω
V3	6CB6	1.2meg	0 Ω	0 Ω	.1 Ω	$\dagger 2100\Omega$	$\dagger 2100\Omega$	0 Ω		
V4	6BJ6	$\approx 4.5\text{meg}$	$\approx 100\Omega$	0 Ω	.1 Ω	$\dagger \approx 2100\Omega$	$\dagger \approx 2100\Omega$	0 Ω		
V5	6BE6	22K	.6 Ω	.1 Ω	0 Ω	$\dagger \approx 2100\Omega$	$\dagger \approx 2100\Omega$	$\approx 4.5\text{meg}$		
V6	6BJ6	1meg	100 Ω	0 Ω	.1 Ω	$\dagger 2100\Omega$	$\dagger 2100\Omega$	0 Ω		
V7	6U8	0 Ω	6 Ω	$\dagger 2300\Omega$.1 Ω	0 Ω	$\dagger 2300\Omega$	120 Ω	22K	2.2meg
V8	6U8	180K	47K	$\dagger 20K$.1 Ω	0 Ω	$\dagger 20K$	0 Ω	0 Ω	180K
V9	6AU6	10K	0 Ω	.1 Ω	0 Ω	$\dagger 24K$	$\dagger 24K$	0 Ω		
V10	6AL5	0 Ω	100K	.1 Ω	0 Ω	200K	0 Ω	100K		
V11	6C4	$\dagger 220\Omega$	NC	0 Ω	.1 Ω	$\dagger 220\Omega$	600K	1300 Ω		
V12	6C4	$\dagger 3300\Omega$	TP	.1 Ω	0 Ω	$\dagger 3300\Omega$	1meg	49K		
V13	6X4	70 Ω	NC	0 Ω	.1 Ω	NC	72 Ω	20K(1M Ω)		

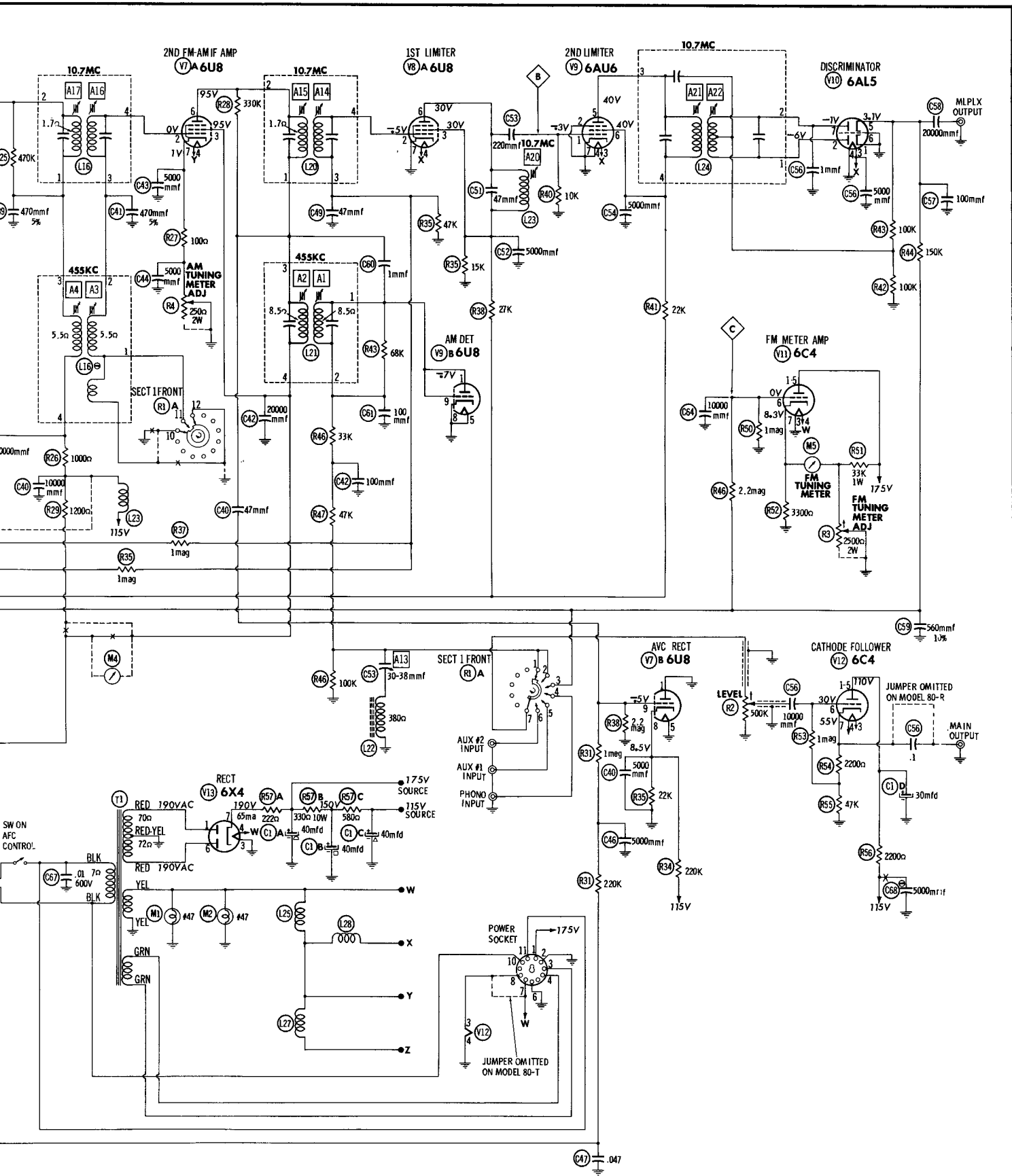
ALL MEASUREMENTS TAKEN IN "FM" POSITION UNLESS OTHERWISE NOTED

\dagger MEASURED FROM PIN 7 OF V13

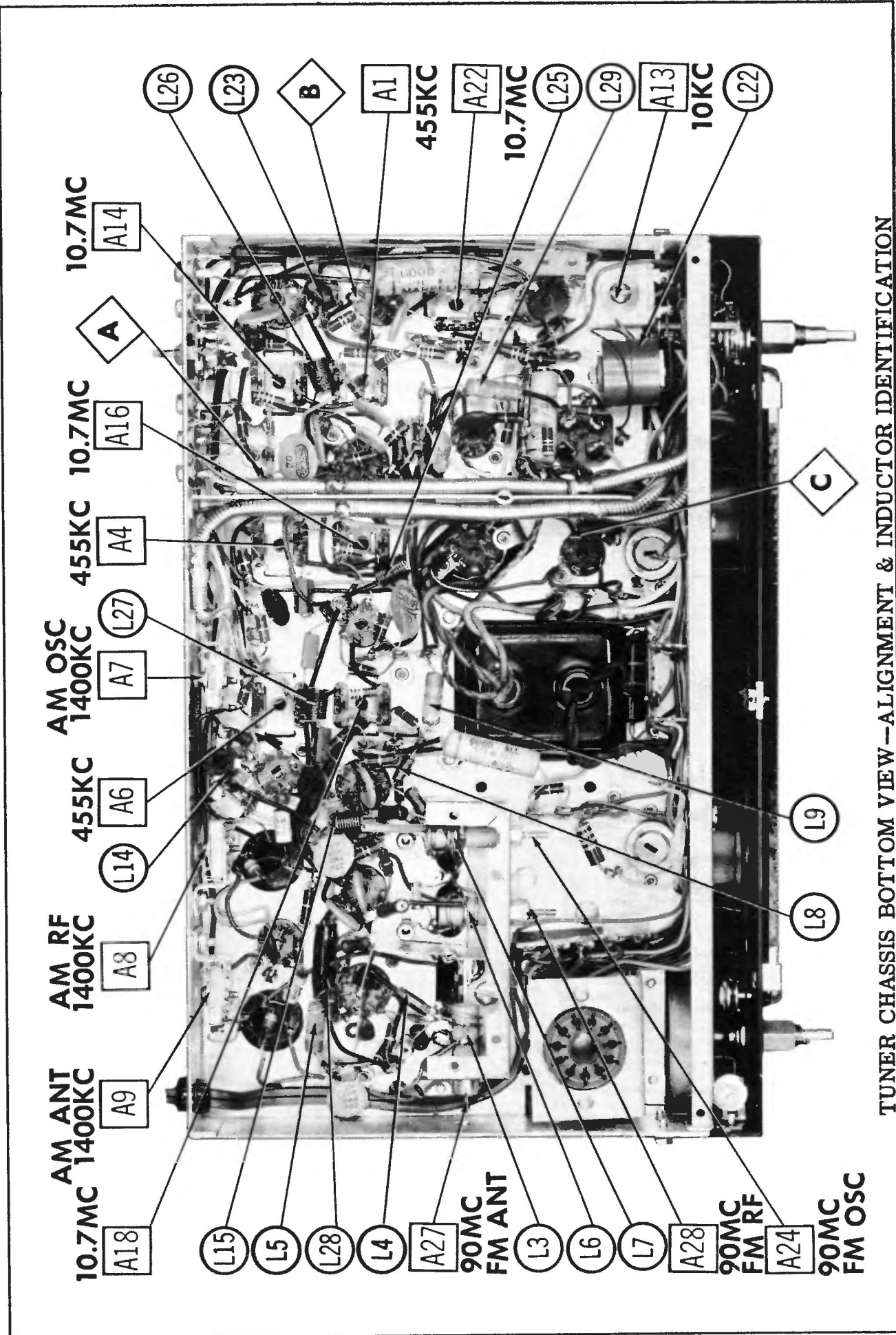
\approx MEASURED IN "AM" POSITION

NC NO CONNECTION

TP TIE POINT



UNLESS OTHERWISE DESIGNATED



AM ANT
1400KC

AM RF
1400KC

455KC

AM OSC
1400KC

10.7 MC

10.7 MC

A18

A9

A8

A6

A7

A4

A16

A14

L15

L5

L28

L4

A27

90 MC
FM ANT

L3

L6

L7

A28

90 MC
FM RF

A24

90 MC
FM OSC

A1

455 KC

A22

10.7 MC

L25

L29

A13

10 KC

L22

L26

L23

B

C

L9

L8

TUNER CHASSIS BOTTOM VIEW—ALIGNMENT & INDUCTOR IDENTIFICATION

FISHER
MODEL 80-R

FOLDER 7

ALIGNMENT INSTRUCTIONS

ALIGNMENT INSTRUCTIONS—READ CAREFULLY BEFORE ATTEMPTING ALIGNMENT

To set pointer, turn tuning capacitor fully closed and set pointer to last reference mark at low frequency end of dial. Volume control should be at maximum position. Output of signal generator should be no higher than necessary to obtain an output reading. Use an insulated alignment screwdriver for adjusting. Set AFC Control (R1B) to minimum.

AM ALIGNMENT

DUMMY ANTENNA	SIGNAL GENERATOR COUPLING	SIGNAL GENERATOR FREQUENCY	BAND SWITCH POS.	RADIO DIAL SETTING	OUTPUT METER	ADJUST	REMARKS
1. .01mf	High side to pin 7 (grid) of 6BE6 (V5). Low side to chassis.	455KC (400v Mod)	AM (Sharp)	1000KC (Approx.)	Across main output jack	A1, A2, A3, A4, A5, A6	Adjust for maximum output.
2. "	"	455KC (FM Mod) (30KC Swp)	AM (Broad)	"	Scope across main output jack	A1	SLIGHTLY retouch A1 for symmetrical response on scope. If equipment is not available omit this step.
3. 200mmf	High side to pin 3 of AM Antenna socket. Low side to chassis.	1400KC (400v Mod)	AM (Sharp)	1400KC	Across main output jack	A7, A8, A9	Remove loop. Connect jumper between pins 2 and 4 of socket. Adjust for maximum output.
4. "	"	600KC	"	600KC	"	A10, A11, A12	Adjust for maximum output. Repeat steps 3 and 4.
5. "	High side to pin 1 (plate) of 6U8 (V8). Low side to chassis.	10KC	"	"	"	A13	Adjust for MINIMUM output.

FM IF ALIGNMENT USING AM SIGNAL GENERATOR AND VTVM

DUMMY ANTENNA	SIGNAL GENERATOR COUPLING	SIGNAL GENERATOR FREQUENCY	BAND SWITCH POS.	RADIO DIAL SETTING	CONNECT VTVM	ADJUST	REMARKS
6.	High side to an ungrounded tube shield on 6CB6 (V3). Low side to chassis.	10.7MC (Unmod)	FM	Point of non-interference	DC probe to point \odot . Common to chassis	A14, A15, A16, A17, A18, A19	Adjust for maximum deflection.
7.	"	"	"	"	DC probe thru timeg resistor to point \odot . Common to chassis.	A20	"
8.	"	"	"	"	DC probe to point \odot . Common to chassis.	A21	Slightly detune A22. Adjust A21 for maximum deflection.
9.	"	"	"	"	"	A22	Adjust for zero reading. A positive and negative reading will be obtained on either side of the correct setting.

FM IF ALIGNMENT USING FM SIGNAL GENERATOR AND OSCILLOSCOPE

Use frequency modulated signal with 60% modulation and 450KC sweep. Use 120v sawtooth voltage in scope for horizontal deflection.

DUMMY ANTENNA	SIGNAL GENERATOR COUPLING	SIGNAL GENERATOR FREQUENCY	BAND SWITCH POS.	RADIO DIAL SETTING	CONNECT SCOPE	ADJUST	REMARKS
6.	High side to an ungrounded tube shield on 6CB6 (V3). Low side to chassis.	10.7MC (450KC Swp)	FM	Point of non-interference	Vert. Amp. to point \odot . Low side to chassis.	A14, A15, A16, A17, A18, A19	Adjust for curve of maximum amplitude and symmetry similar to Fig. 1.
7.	"	"	"	"	Vert. Amp. thru timeg resistor to point \odot . Low side to chassis.	A20	"
8.	"	"	"	"	Vert. Amp. to point \odot . Low side to chassis.	A21, A22	Adjust A22 so that 10.7MC occurs at center of crossover lines similar to Fig. 2. Adjust A21 for maximum amplitude and straightness of crossover lines.

FM RF ALIGNMENT

DUMMY ANTENNA	SIGNAL GENERATOR COUPLING	SIGNAL GENERATOR FREQUENCY	BAND SWITCH POS.	RADIO DIAL SETTING	CONNECT VTVM	ADJUST	REMARKS
10. Two 120 Ω Carbon Resistors	Across pins 2 and 3 of FM Antenna socket with 120 Ω in each lead.	106MC (40v FM Mod) (45KC Swp)	FM	106MC	DC probe to point \odot . Common to chassis.	A23	Connect jumper between pins 1 and 4. Adjust for maximum deflection.
11. "	"	90MC	"	90MC	"	A24	Adjust for maximum deflection. Repeat steps 10 and 11.
12. "	"	106MC	"	106MC	"	A25, A26	Adjust for maximum deflection.
13. "	"	90MC	"	90MC	"	A27, A28	Adjust for maximum deflection. Repeat steps 12 and 13.

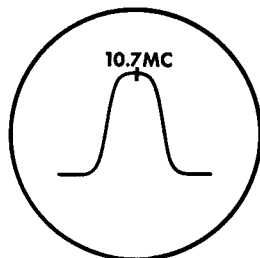


FIG. 1

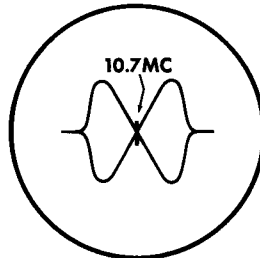
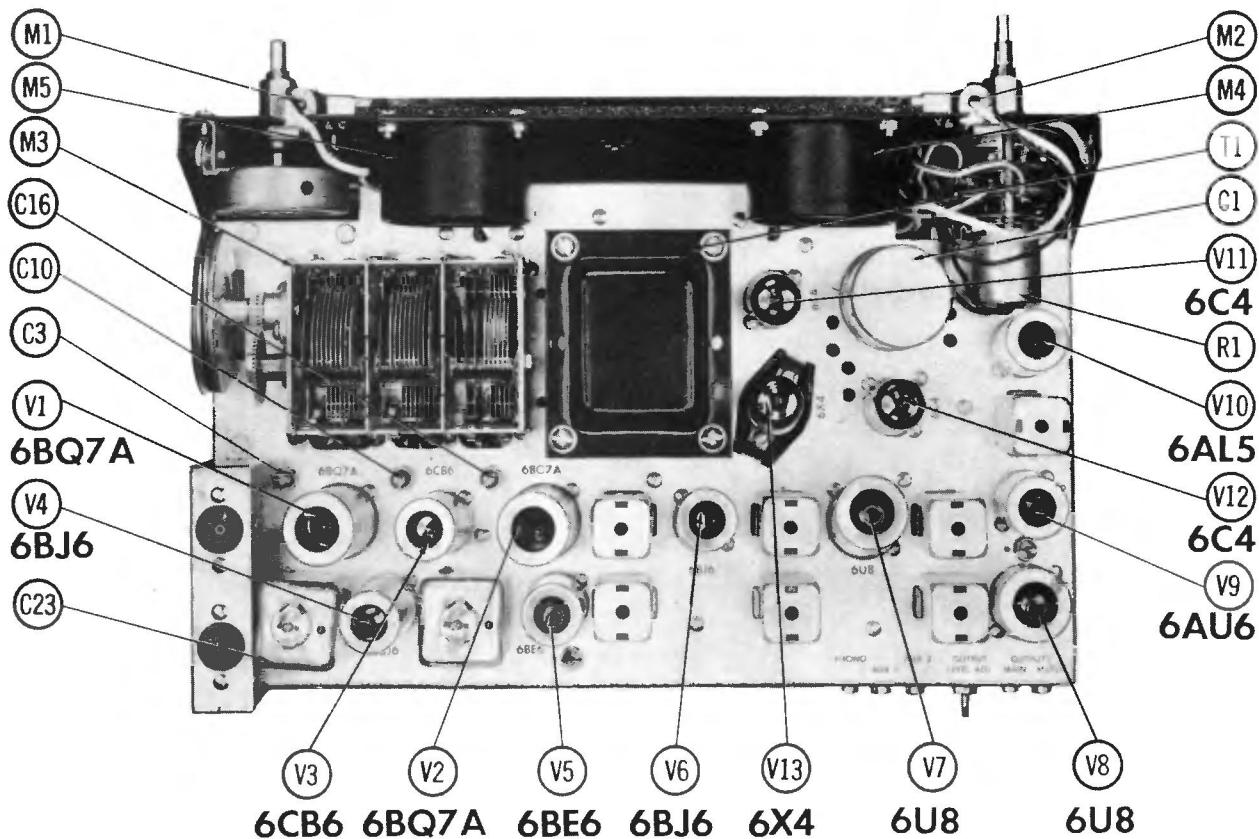
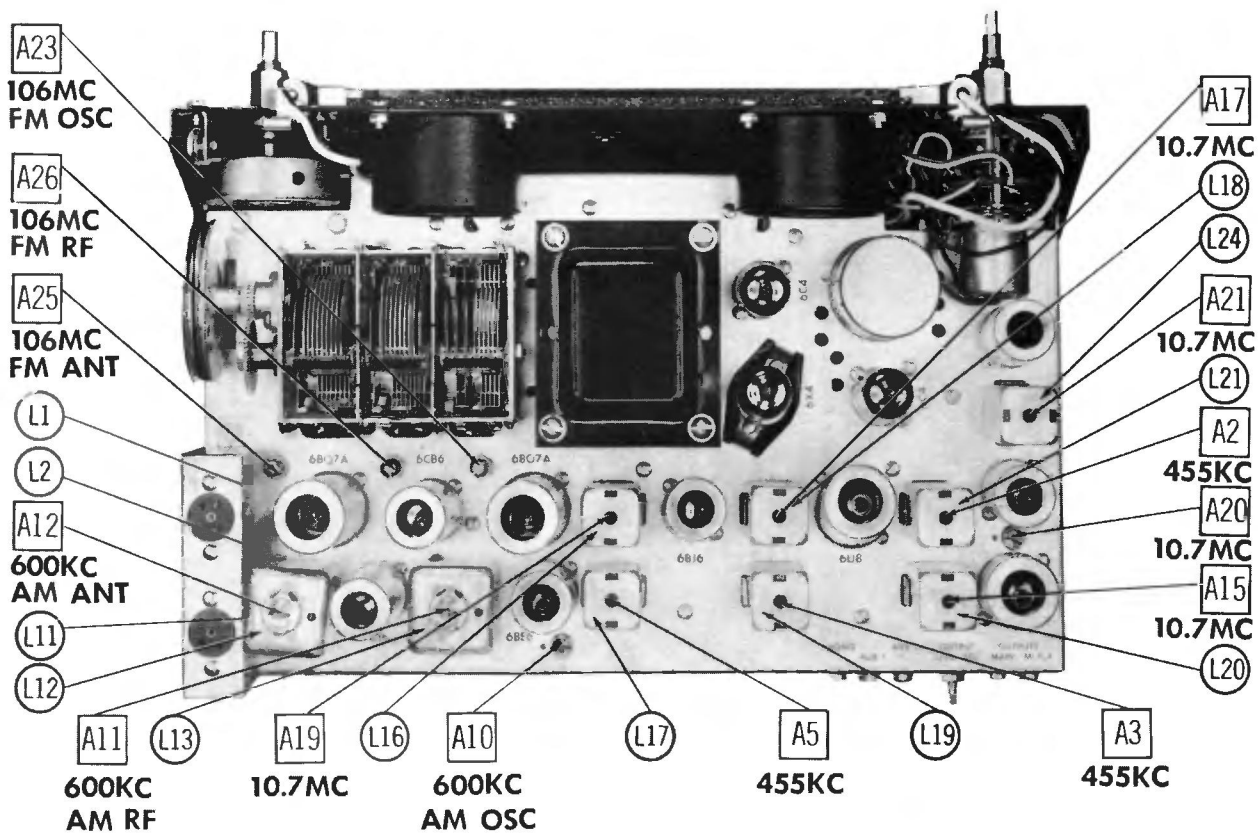


FIG. 2



TUNER CHASSIS -TOP VIEW



TUNER CHASSIS-TOP VIEW

TUNER PARTS LIST AND DESCRIPTIONS TUBES (GENERAL ELECTRIC, SYLVANIA)

ITEM No.	USE	TYPE	NOTES
V1	FM RF Amplifier	6BQ7A	
V2	FM Osc. - FM AFC	6BQ7A	
V3	FM Mixer	6C2B6	
V4	AM RF Amplifier	6BJ6	
V5	AM Converter	6BE6	
V6	1st FM - AM IF Amp.	6BJ6	
V7	2nd FM - AM IF Amp.	6BJ6	
V8	1st Limiter - AM Del.	6U8	
V9	2nd Limiter	6AL5	
V10	Discriminator	6C4	
V11	FM Meter Amp.	6C4	
V12	Cathode Follower	6X4	
V13	Rectifier	6X4	

ELECTROLYTIC CAPACITORS

REPLACEMENT DATA			
ITEM No.	RATING CAP.	FISHER PART No.	NOTES
C1A	40	C-550-130	
B	250		
C	200		
D	200		

FIXED CAPACITORS

Capacity values given in the rating column are in mfd. for Paper Capacitors, and in mmfd. for Mica and Ceramic Capacitors.

REPLACEMENT DATA			
ITEM No.	RATING CAP.	FISHER PART No.	NOTES
C2	10	C200CH00G5	
C3	1.5-10	C-520-158	
C4	470	C-520-143	
C5	500	C-1315	
C6	500	C-1315	
C7	33	C23IGP30M5	
C8	5000	C-3338	
C9	5	C23CH050F5	
C10	1.5-10	C-520-158	
C11	5000	CX69GP502V6	
C12	5000	CX69GP502V6	
C13	5000	CX69GP502V6	
C14	5	C220U1050F5	
C15	4	C220PK040K5	
C16	1-6	C-520-159	
C17	47	C-3350	
C18	500	C-1315	
C19	5000	CX69GP502V6	
C20	0.047	C-66P479M2	
C21	5000	CX69GP502V6	
C22	5000	CX69GP502V6	
C23	15	C-350-136	
C24	2.2	C-3039	
C25	2-22	C-550-129	
C26	220	C22IGP221M5	
C27	5000	CX69GP502V6	
C28	10000	CX69GP502V6	
C29	4.7	C-1779	
C30	2-22	C-550-139	
C31	220	C22IGP221M5	
C32	470	C-3334	
C33	10000	CX69GP502V6	
C34	1.7-16	C-550-144	
C35	10	C202VK100G5	
C36	220	C22IGP221M5	
C37	470	C-3334	
C38	20000	CX69GP502V6	
C39	470	C-3334	
C40	10000	CX69GP502V6	
C41	470	C-3334	
C42	20000	CX69GP502V6	
C43	5000	CX69GP502V6	
C44	5000	CX69GP502V6	
C45	47	C-3350	
C46	5000	CX69GP502V6	

* Non Catalog Item.

TUNER PARTS LIST AND DESCRIPTIONS (cont)

CAPACITORS (cont)

REPLACEMENT DATA			
ITEM No.	RATING CAP.	FISHER PART No.	NOTES
C47	0.047	C-66P479M2	
C48	5000	CX69GP502V6	
C49	47	SL 47	
C50	20000	CX69GP502V6	
C51	47	C-3350	
C52	5000	CX69GP502V6	
C53	220	C22IGP221M5	
C54	5000	CX69GP502V6	
C55	5000	CX69GP502V6	
C56	1	C-1786	
C57	100	C23IGP01M5	
C58	20000	C-556-132	
C59	560	C23IGP98K15	
C60	1	C-1786	
C61	100	C23IGP01M5	
C62	100	C23IGP01M5	
C63	30-36	C-3347	
C64	10000	CX69GP502V6	
C65	10000	CX69GP502V6	
C66	1	C-66P104M2	
C67	0.01	C-2747	
C68	5000	CX69GP502V6	

① Not used in some versions.

CONTROLS

REPLACEMENT DATA			
ITEM No.	RATING	FISHER PART No.	INSTALLATION NOTES
R1A	Switch	R550-134	Band Selector
B	2 meg		AFC
C	Switch		Power On-Off
R2	500K	R520-130	I
R3	2500Ω	R550-138-1	FM Tuning Meter Adj.
R4	250Ω	R550-138-2	AM Tuning Meter Adj.

RESISTORS

All wattages 1/2 watt, or less, unless otherwise listed.

REPLACEMENT DATA			
ITEM No.	RATING	FISHER PART No.	NOTES
R5	1meg	RC20BF05K	
R6	470Ω	RC20BF47K	
R7	1meg	RC20BF05K	
R8	1meg	RC20BF05K	
R9	1000Ω	RC20BF02K	
R10	220K	RC20BF22K	
R11	4700Ω	RC20BF47K	
R12	100Ω	RC20BF01K	
R13	1meg	RC20BF05K	
R14	470K	RC20BF47K	
R15	1000Ω	RC20BF02K	
R16	1meg	RC20BF05K	
R17	1000Ω	RC20BF02K	
R18	100Ω	RC20BF01K	
R19	1meg	RC20BF05K	
R20	1000Ω	RC20BF02K	
R21	22K	RC20BF22K	
R22	33K	RC20BF33K	
R23	2700Ω	RC20BF01K	
R24	100Ω	RC20BF01K	
R25	470K	RC20BF47K	
R26	1000Ω	RC20BF02K	
R27	100Ω	RC20BF01K	
R28	330K	RC20BF33K	
R29	300Ω	RC20BF03K	
R30	2.2meg	RC20BF22K	
R31	1meg	RC20BF05K	
R32	220K	RC20BF22K	

TUNER PARTS LIST AND DESCRIPTIONS (cont)

TRANSFORMER (POWER)

ITEM No.	RATING		REPLACEMENT DATA							
	PRI	SEC. 1	SEC. 2	FISHER PART No.	Heldorson PART No.	Merit PART No.	Ram PART No.	Stencor PART No.	Thordarson PART No.	Tried PART No.
T1	117V ③ .54A ③ .5A	380VCT	2IV	T-550-115B						
	SEC. 3	SEC. 4	SEC. 5							
	6.3V ③ 4.2A									

COILS (RF-IF)

ITEM No.	USE	REPLACEMENT DATA						NOTES
		FISHER PART No.	Meissner PART No.	Meritt PART No.	Miller PART No.	Ram PART No.	Notes	
L1	FM Ant. Coil	L-509-139	15-1082	TV-172	8202	BC-501		
L2	FM Ant. Coil	L-509-138	15-1083	TV-172	8202	BC-501		
L3	FM Ant. Trans.	AS-520-177						
L4	RF Choke	L-520-178	19-1002	BC-563	4606			2 Microhenries 2.2 Microhenries; IRC Part #CLA
L5	RF Choke	L-3352	19-1002	BC-563	4506			
L6	FM Mixer Coil	AS-520-176						
L7	FM Osc. Coil	AS-520-174	19-1003	BC-584	4608			3.5 Microhenries 2.2 Microhenries; IRC Part #CLA
L8	RF Choke	L-509-147	19-1002	BC-583	4606			
L9	RF Choke	L-3352						
L10	Loop Antenna	L-509-133	19-7047	TV-180	8176			45 Microhenries
L11	AM Ant. Coil	L-509-135	14-7413	EC-383	73-A			
L12	AM Ant. Trans.	L-509-137						
L13	AM RF Trans.	L-550-123	14-1055					
L14	AM Osc. Coil	L-550-122	19-1000	BC-561	4602			1.2 Microhenries
L15	RF Choke	L-520-156	19-1000	BC-561	4602			Note 1
L16	1st FM IF	ZZ-298-132D	16-3487	FM-254	1463			Note 1
L17	1st AM IF	ZZ-298-132D	16-3487	FM-254	1463			1 Henry
L18	2nd FM IF	ZZ-509-130	15-3487	FM-254	1463			
L19	2nd AM IF	ZZ-509-132D	15-3487	FM-254	1463			
L20	3rd FM IF	ZZ-509-130	15-3487	FM-254	1463			
L21	3rd AM IF	ZZ-2984	18-6758	BC-353	D-C2	RF-2		
L22	10KC Filter	L-509-145						
L23	FM Limiter	L-550-131						
L24	FM Discr.	L-550-145	17-3494	FM-253	4203			1.2 Microhenries
L25	F.I.L. Choke	L-520-158	19-1000	BC-581	4602			1.2 Microhenries
L26	F.I.L. Choke	L-520-156	19-1000	BC-581	4602			1.2 Microhenries
L27	F.I.L. Choke	L-520-158	19-1000	BC-581	4602			1.2 Microhenries
L28A	F.I.L. Choke	L-509-140	19-1002	BC-563	4606			2.5 Microhenries
L28B	F.I.L. Choke	L-509-140	19-1002	BC-563	4606			2.2 Microhenries; IRC Part #CLA
L29	RF Choke	L-3352						

Note 1. Alternate Part #ZZ-509-132. * Disregard Primary.

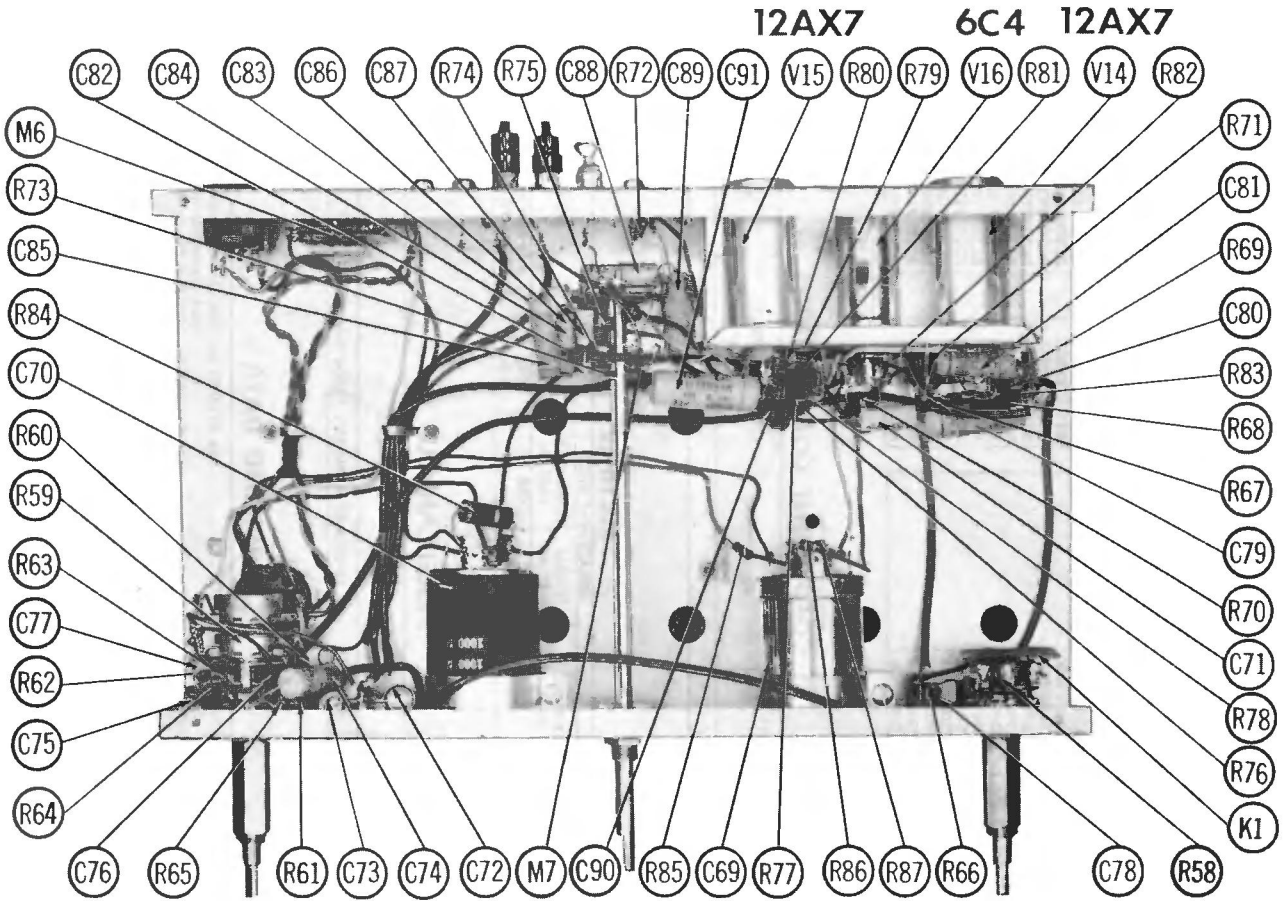
MISCELLANEOUS

ITEM No.	PART NAME	FISHER PART No.	NOTES
M1	Dial Lamp	I-50009-1	#47
M2	Dial Lamp	I-50009-1	#47
M3	Tuning Cap	C-550-118	AM-FM; 6 Gang (AM Sections: Ant. 12-270mmf, RF 12-270mmf, Osc. 10-163mmf)
M4	Meier	M-550-132-1	AM Tuning
M5	Meier	M-550-132-2	FM Tuning

WIRING DATA

General-use Unshielded Hook-up Wire Use BELDEN No. 8530 (Solid) Available in Ten Colors
 Power Cord Use BELDEN No. 8524 (Stranded) Available in Ten Colors
 Low-Loss Shielded Lead (Interconnecting) Use BELDEN No. 1765-B (6 Ft. Length)
 Photo Pick-up Arm Cable Use BELDEN No. 8401 (1 1/2 Ft. Length)
 Phone Pick-up Arm Cable Use BELDEN No. 8430 (Two Conductor - Twisted)

AMP CHASSIS—BOTTOM VIEW



PARTS LIST AND DESCRIPTIONS TUBES (GENERAL ELECTRIC, PENNSYLVANIA)

AMP

PARTS LIST AND DESCRIPTIONS (Continued)

RESISTORS

All wattages 1/2 watt, or less, unless otherwise listed.

ITEM No.	USE	TYPE	NOTES	ITEM No.	USE	TYPE	NOTES
V14	Preamplifier	12AX7		V16	Cathode Follower	6C4	
V15	Preamplifier	12AX7					

ELECTROLYTIC CAPACITORS

ITEM No.	RATING CAP. VOLTS	REPLACEMENT DATA				NOTES
		FISHER PART No.	CORNELL DUBILIER PART No.	MALLOY PART No.	SPRAGUE PART No.	
C69A	40	C-520-117	D4022	FP377	TMT-23	TVL-3767
C69B	200					
C69C	40	C-582-106				R2819 *
C70A	1000					TE-1091
C71	25	C-566-137		TT6X25	ML30-6	R2805 *
C72	1	C-548-126				R2805 *
C73	250	C-548-126				R2805 *

* Non Catalog Item

FIXED CAPACITORS

Capacity values given in the rating column are in mfd. for Paper Capacitors, and in mmmfd. for Mica and Ceramic Capacitors.

ITEM No.	RATING CAP. VOLTS	REPLACEMENT DATA						NOTES
		FISHER PART No.	CENTRALAB PART No.	CORNELL DUBILIER PART No.	MALLOY PART No.	SPRAGUE PART No.		
C74	.02	C68P203K2		IR5D1	GEM-1812	MS-21	10%	
C75	.02	C68P203K2		IR5747	GEM-1812	MS-347	10%	
C76	1000	CC35GP02K5		CY4681	MCB255	5HK-SI	10%	
C77	470	CC31GP47K5		DF-104	DC5II	4TM-P1	10%	
C78	10000	CK82GP103V6		D6-470	GEM-401	MS-447	10%	
C79	.1	C68P104M4		LI0Q47	GEM-6247	6TM-D47	10%	
C80	47	C92IGP470K5		CUB6D47			10%	
C81	.0047	C68P472M2		D6-121		MS-312	10%	
C82	440	C92IGP441K5		L10T22		MS-322	10%	
C83	120	C92IGP121K5		D6-221		MS-322	10%	
C84	220	C92IGP221K5				MS-21	10%	
C85	.0025	C68P252K2		IR5D1	GEM-18225		10%	
C86	1000	C92IGP102K5			MCB255		10%	
C87	720	C92IGP721K5					10%	
C88	.02	C68P203K2					10%	
C89	10000	CK82GP103V6		BYA681	GEM-1812	5HK-SI	10%	
C90	.047	C68P473M4		CUB4S47	DC5II	4TM-S47	10%	
C91	.047	C68P473M4			GEM-4147		10%	

CONTROLS

ITEM No.	RATING RESIST. ANISE	REPLACEMENT DATA				INSTALLATION NOTES
		FISHER PART No.	CENTRALAB PART No.	CLAROSTAT PART No.	MALLOY PART No.	
R68A	1meg	R552-118			UE1716	Base Treble, Tap @ 250K
R68B	500K					Loudness
R69A	Switch	R552-125				Volume, Tap @ 50K & 75K
R69B	100K					Volume, Tap @ 50K
R69C	25K					Volume, Tap @ 50K

* "Concentrict" Equivalent; K-6 Kit, Base Elements and Shafts: BL-127, P18-128 (Panel) BL10-133X, RL-205 (Rear)

ITEM No.	RATING OHMS	WATT	FISHER PART No.	NOTES
R74	3.3meg		RC20BF109K	
R75	150K		RC20BF159K	
R76	2.2meg		RC20BF225K	
R77	220K		RC20BF224K	
R78	2700Ω		RC20BF272K	
R79	2.2meg		RC20BF225K	
R80	220K		RC20BF224K	
R81	2200Ω		RC20BF222K	
R82	47K		RC20BF473K	
R83	470K		RC20BF474K	
R84	15Ω		RC40BF150K	
R85	3300Ω	2	RC20BF332K	
R86	3300Ω		RC20BF332K	
R87	10K		RC20BF109K	

COMPONENT COMBINATIONS

ITEM No.	USE	DESCRIPTION	FISHER PART No.	REPLACEMENT DATA
K1	Tone Compensation		PC-582-105	

RECTIFIER

ITEM No.	RATING CURRENT (Measured)	REPLACEMENT DATA			NOTES
		FISHER PART No.	FEDERAL PART No.	INTERNATIONAL PART No.	
M6	.320A		1017	C1B	① Selenium Type ② D-81 ③ Silicon Type

MISCELLANEOUS

ITEM No.	PART NAME	FISHER PART No.	NOTES
M7	Switch	S-582-113	Equilization Selector, 2 Gang Rotary Water Type

WIRING DATA

General-use Unshielded Hook-up Wire Use BELDEN No. 8530 (Solid) Available in Ten Colors
8524 (Stranded) Available in Ten Colors
Power Cord Use BELDEN No. 1785-B (9 Ft. Length)
1785-K (1 1/2 Ft. Length)
Low-Loss Shielded Lead (Interconnecting) Use BELDEN No. 8401
Photo Pick-up Arm Cable Use BELDEN No. 8430 (Two Conductor - Twisted)